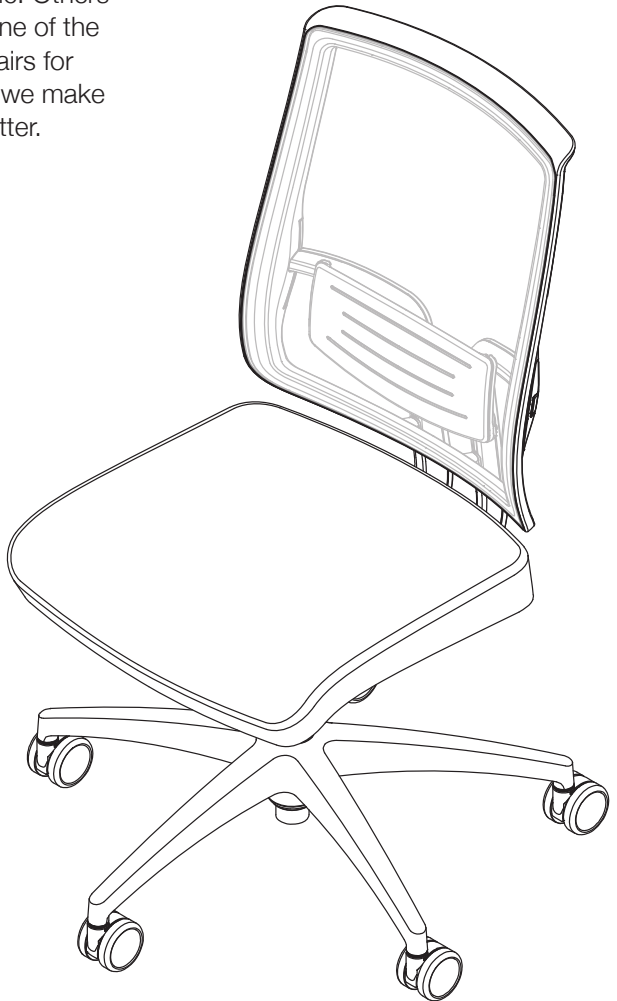


# Focus 2.0

## TASK CHAIR AND TASK STOOL ASSEMBLY INSTRUCTIONS

### *Focus reimagined.*

Updated. Upgraded. Up to any task. There's a legacy that follows Focus. Some call it classic. Others say it's iconic. It's been one of the industry's best-selling chairs for 10+ years—and it's time we make something great even better.



Read the entire instruction manual before you start installation and assembly. If you have any questions regarding any of the instructions or warnings, please contact your local distributor for assistance.

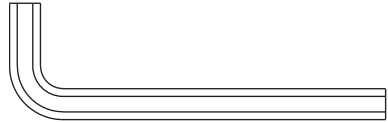
To report any issues with this product, contact our customer experience team at: (888) 274-8664 or [sitonit@exemplis.com](mailto:sitonit@exemplis.com).

### Recommended Tools

- 1/2" Hex Socket
- 1/4 Hex L-Key



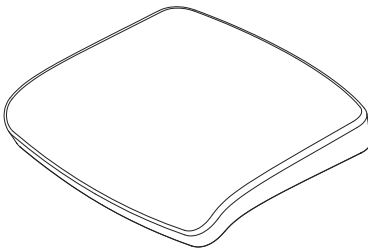
1/2" Hex Socket



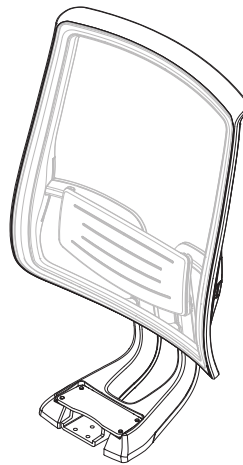
1/4" Hex L-Key

### Parts: Mechanism

- Back Assembly
- Seat Assembly



Seat Assembly

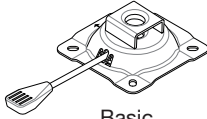


Back Assembly

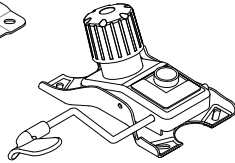
### Parts

- Swivel-Tilt or Basic Mechanism (1)

- $\frac{5}{16}$ "  $\times$   $1\frac{1}{2}$ " Screw (4)
- 0.317" Washer (4)



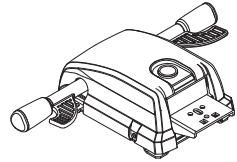
Basic Mechanism



Swivel-Tilt Mechanism

- Enhanced Synchro Mechanism With Optional Seat-Depth Adjustment (1)

- $\frac{5}{16}$ "  $\times$   $\frac{3}{4}$ " Screw (3)
- 0.317" Washer (3)

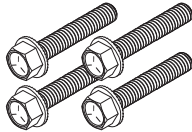


Enhanced Synchro Mechanism

#### SWIVEL-TILT OR BASIC



0.317" Washers

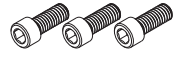


$\frac{5}{16}$ "  $\times$   $1\frac{1}{2}$ " Screws

#### ENHANCED SYNCHRO



0.317" Washers



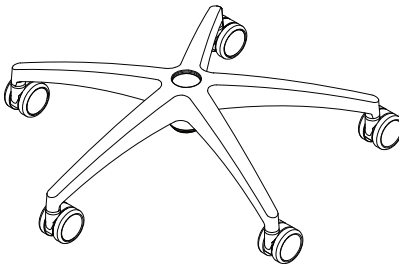
$\frac{5}{16}$ "  $\times$   $\frac{3}{4}$ " Screws

### Parts: Base

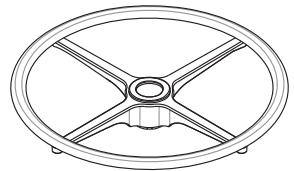
- Base Assembly (1)
- Cylinder (1)
- Foot Ring (1, Optional for Stool)



Cylinder



Base Assembly

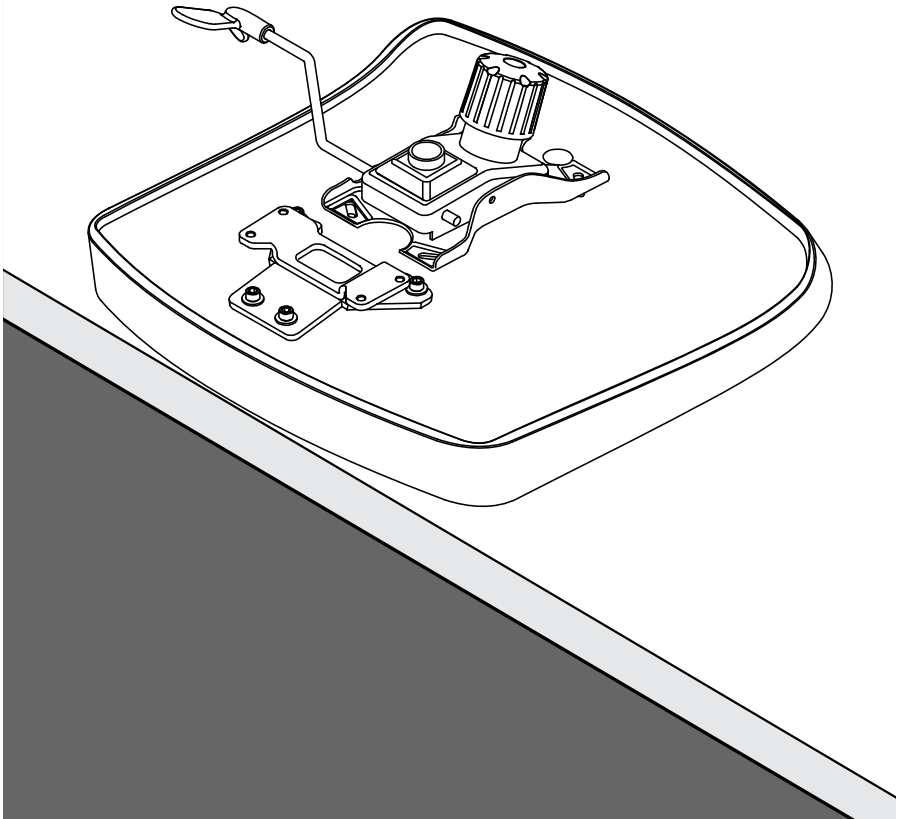


Foot Ring

**Step 1:** Place seat/mechanism assembly on a firm, flat elevated surface.

Swivel-tilt mechanism or basic mechanism

The the chair's shipping box  
or a sturdy table may be  
used for this step.

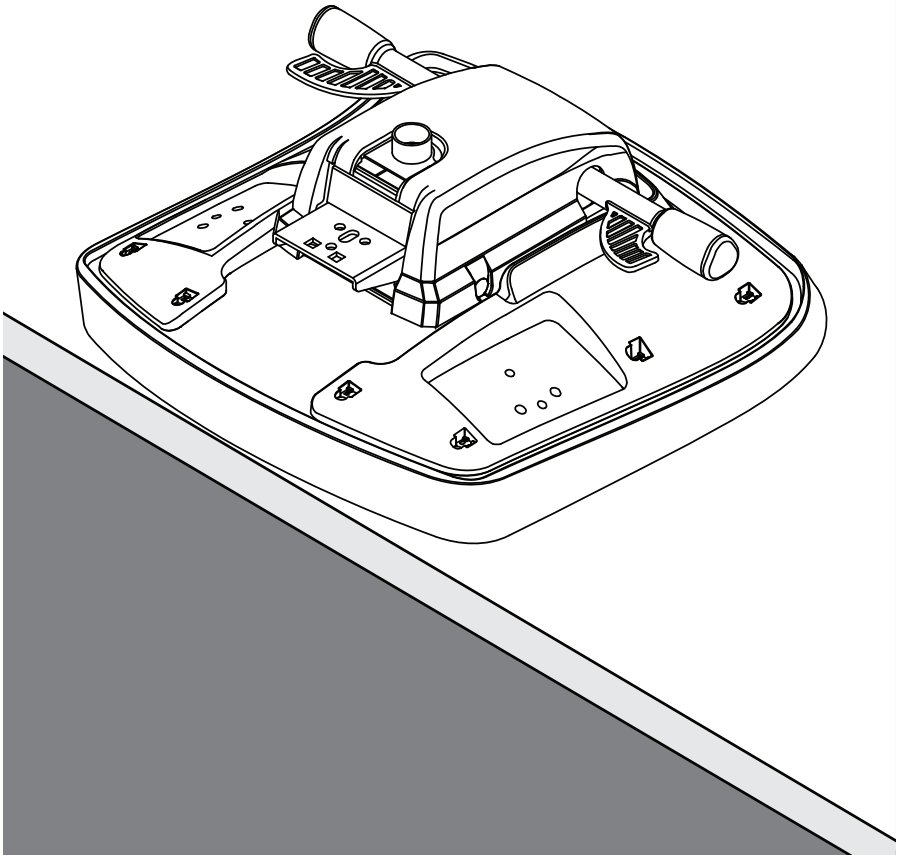


**Step 1:** Place seat/mechanism assembly on a firm, flat elevated surface.

---

Enhanced synchro mechanism

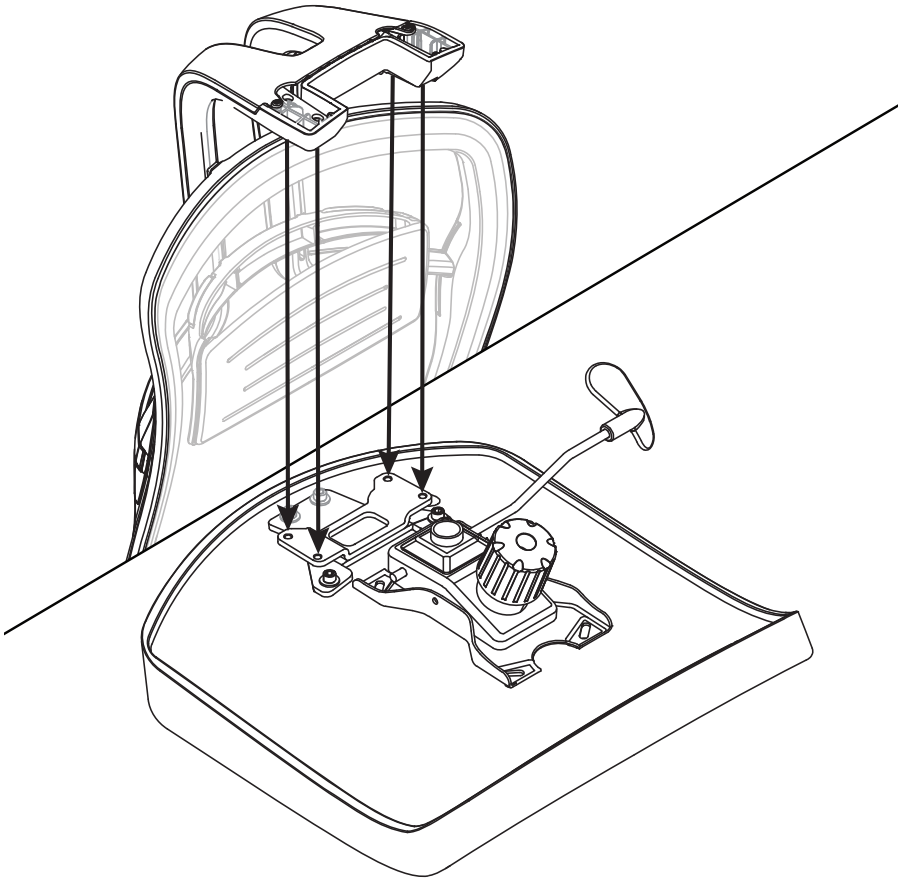
The the chair's shipping box  
or a sturdy table may be used  
used for this step.



**Step 2:** Align the Y-support on top of the mechanism.

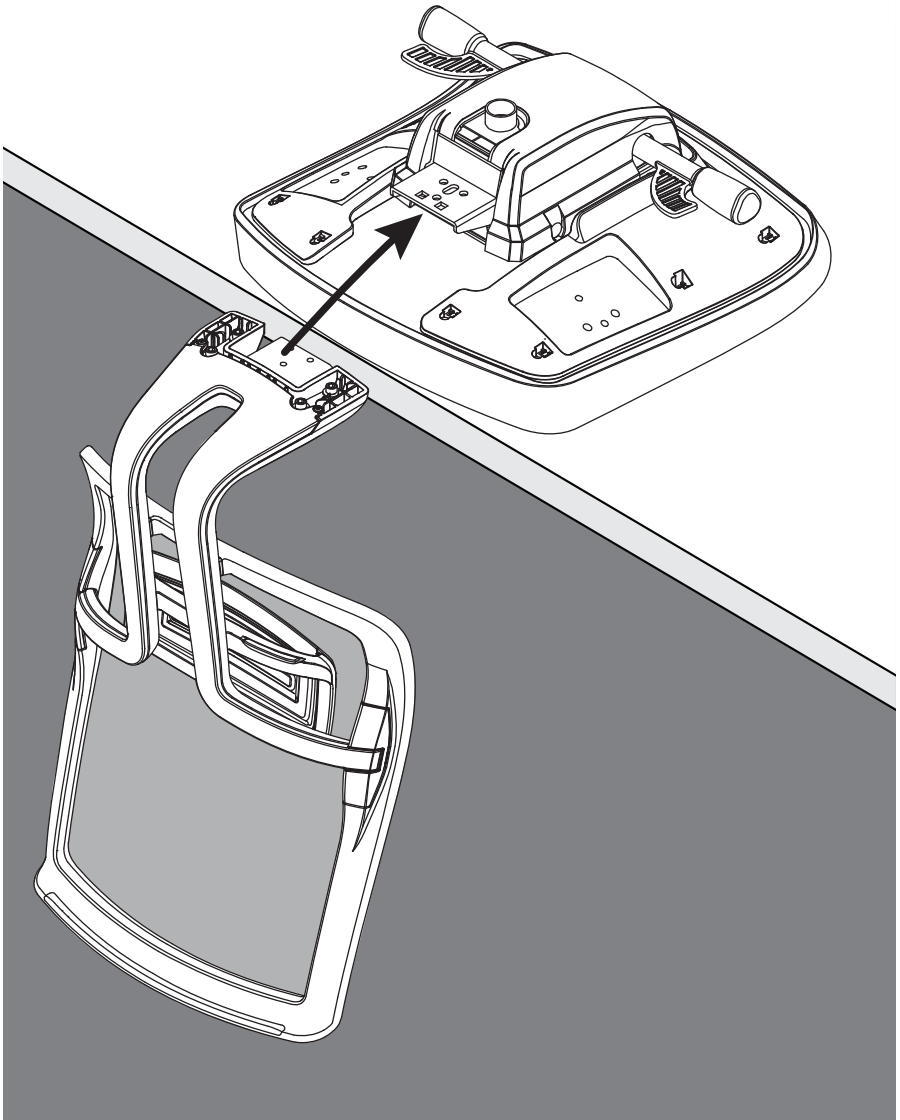
---

Swivel-tilt mechanism or basic mechanism



**Step 2:** Slide the Y-support into the mechanism and align it with the hole pattern.

Enhanced synchro mechanism

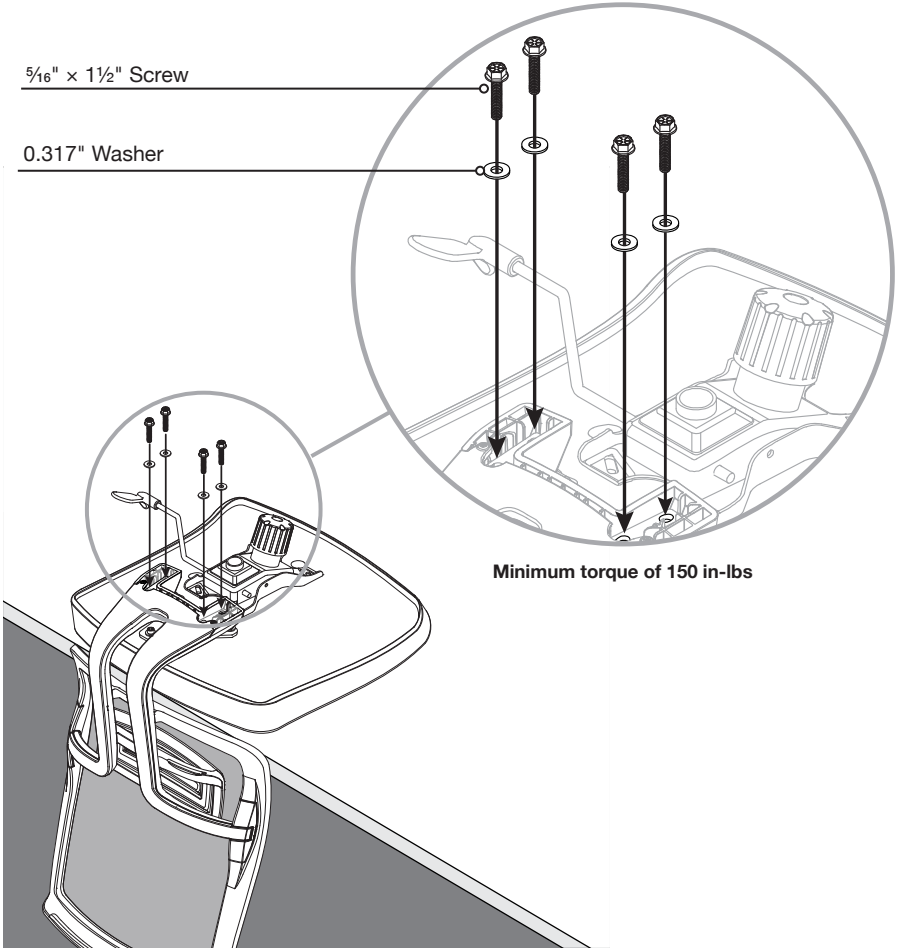


**Step 3:** Secure the back assembly to the mechanism.

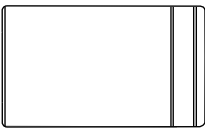
Swivel-tilt mechanism or basic mechanism

$\frac{5}{16}$ " x  $1\frac{1}{2}$ " Screw

0.317" Washer

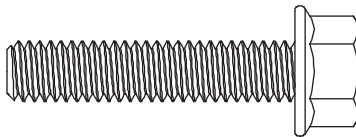


### TOOLS

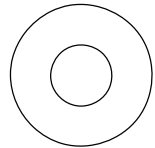


$\frac{1}{2}$ " Hex Socket

### 1:1 HARDWARE



$\frac{5}{16}$ " x  $1\frac{1}{2}$ " Screw



0.317" Washer

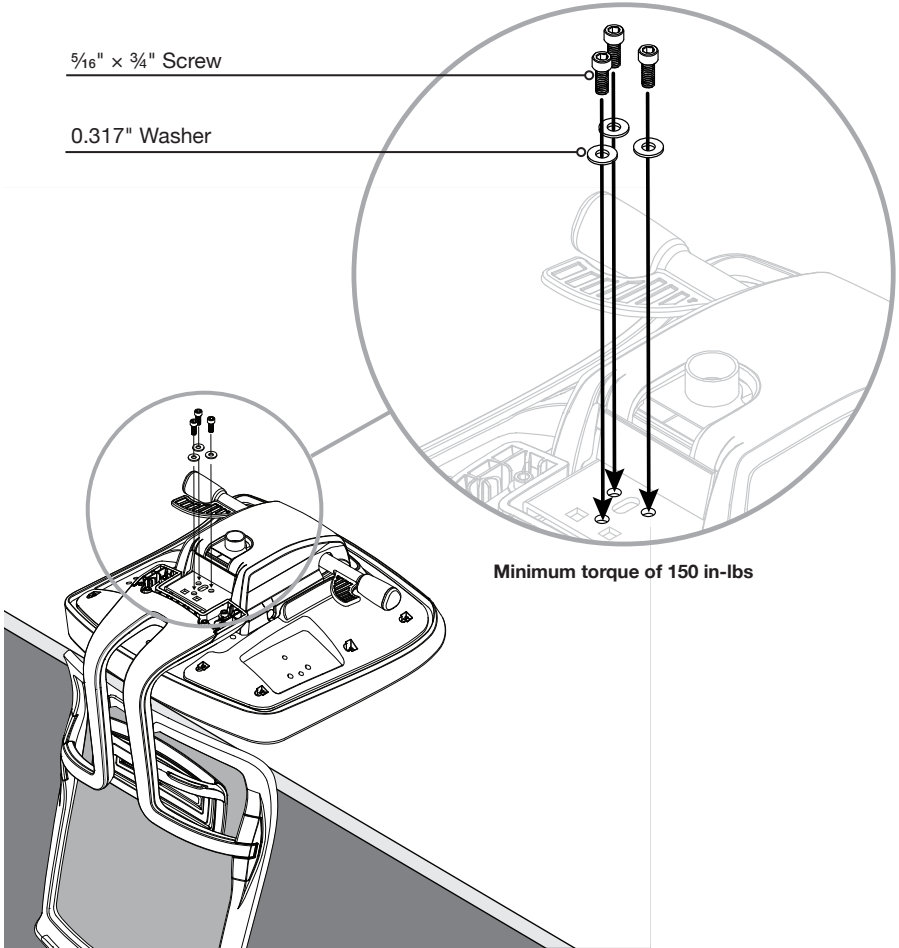


### Step 3: Secure the back assembly to the mechanism.

#### Enhanced synchro mechanism

5/16" x 3/4" Screw

0.317" Washer

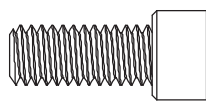


#### TOOLS

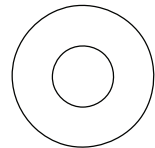


1/4" Hex L-Key

#### 1:1 HARDWARE



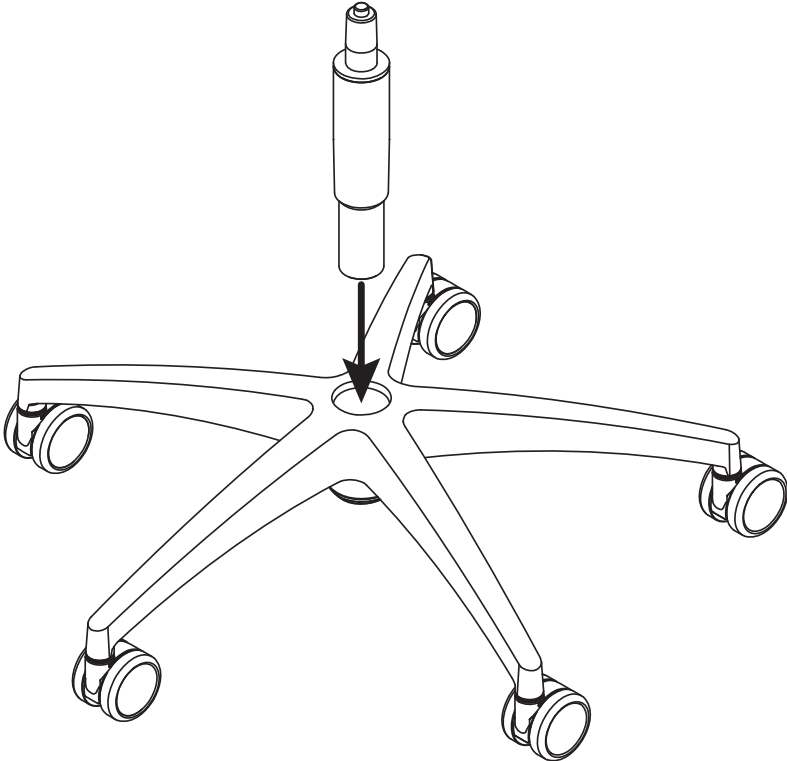
5/16" x 3/4" Screw



0.317" Washer

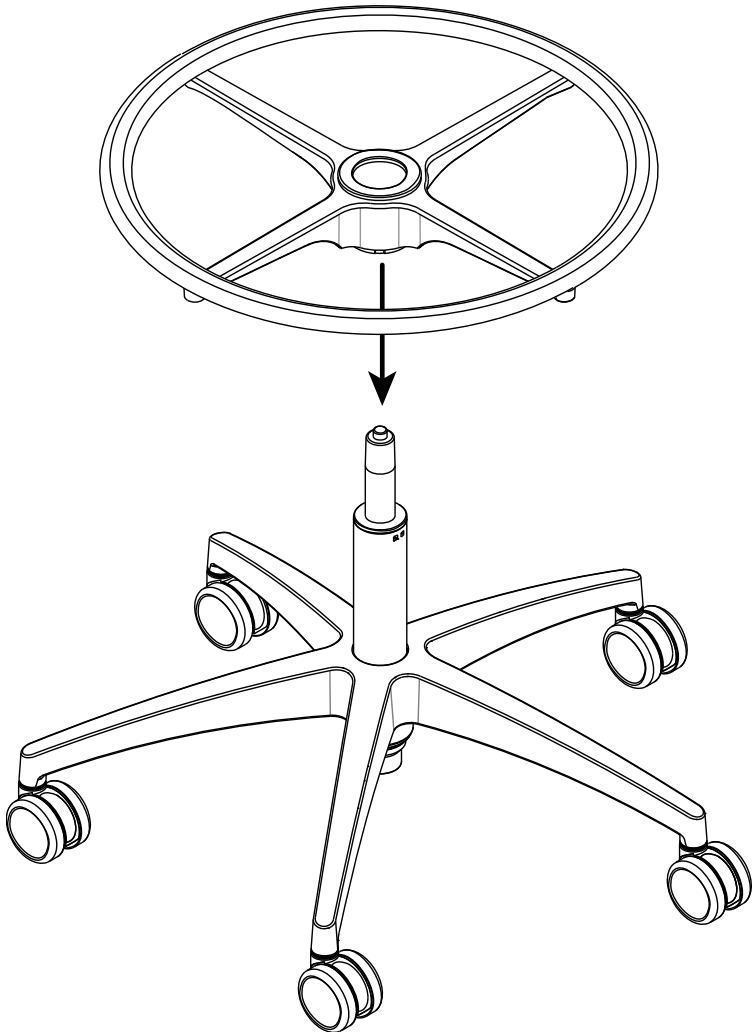
**Step 4:** Insert the cylinder into the base and press down to seat it.

---



**Step 5 (Optional):** Remove the protective spacer under the stool ring and slide the cylinder into the base. Push down to seat it.

---



**Step 6:** Align the seat assembly with the cylinder and push until seated

---

The cylinder is seated correctly when you can lift the chair and the cylinder stays attached to the seat assembly.

