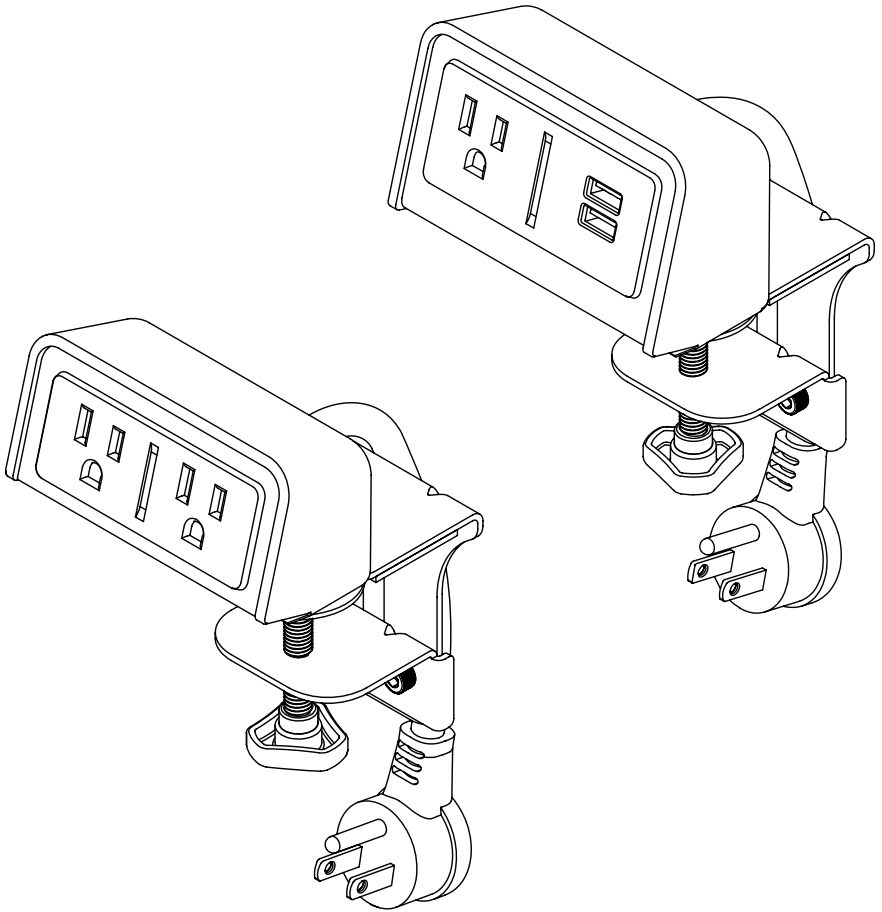


# EON

## INSTALLATION INSTRUCTIONS

### *Empower your workspace.*

Power up with a selection of convenient, high-performing power outlet options. EON offers a dual power unit as well as a single power unit with a USB port option, to accommodate different desks and work needs. All models install easily with a surface mount clamp.



Read the entire instruction manual before you start installation and assembly. If you have any questions regarding any of the instructions or warnings, please contact your local distributor for assistance.

To report any issues with this product, contact our customer experience team at: (888) 274-8664 or [sitonit@exemplis.com](mailto:sitonit@exemplis.com).



## **DANGER**

---

### **RISK OF FIRE AND SHOCK**

Never overload electrical circuits.

AC circuit electrical load capacity: 15A, 125V, 60Hz

Quick-charge USB electrical load capacity: 3.1A, 5V

Keep all components clean and dry. Do not touch the power source with wet hands.



## **CAUTION**

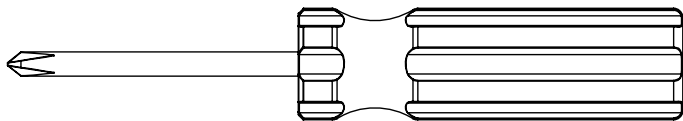
---

Do not repair, disassemble, or modify any part of this device.

Avoid any extreme heat sources or direct sunlight exposure.

## Recommended Tools

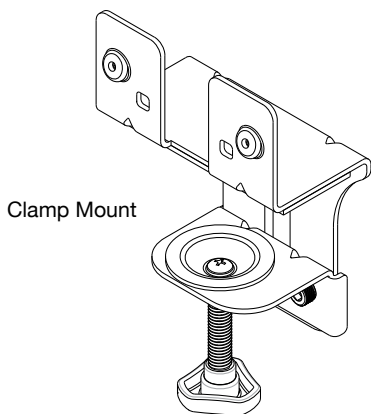
- #2 Phillips Screwdriver



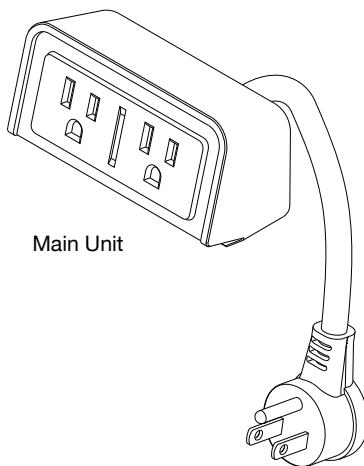
#2 Phillips Screwdriver

## Parts

- Main Unit (1)
- Clamp Mount (1)
- M3 × 13.5 mm Screw (2)

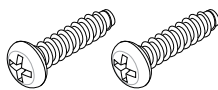


Clamp Mount



Main Unit

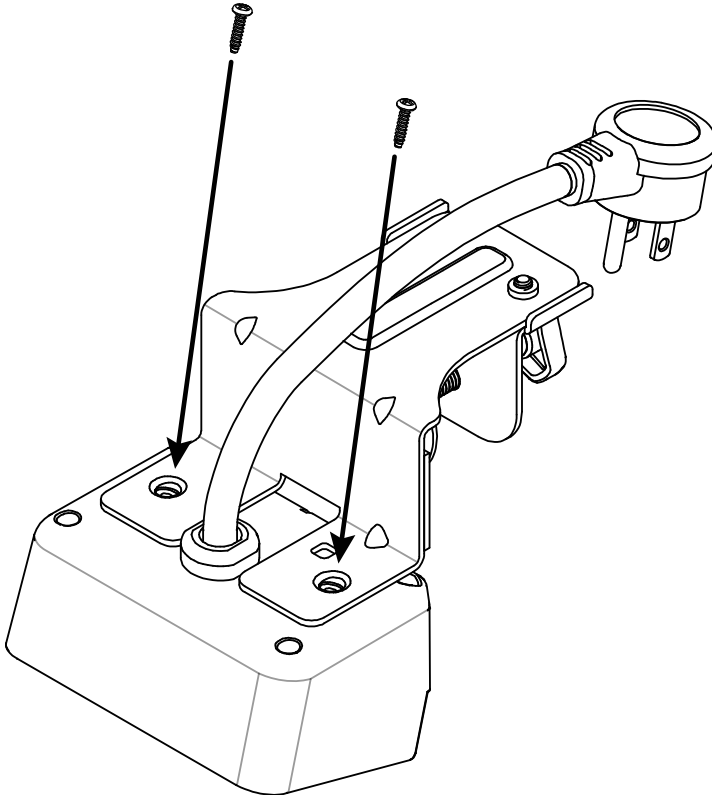
## HARDWARE



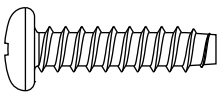
M3 × 13.5 mm Screws

**Step 1:** Place the main unit face down on a flat surface and attach the clamp mount.

---

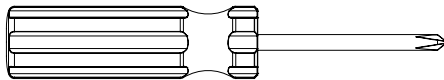


**1:1 HARDWARE**



M3 x 13.5 mm Screw

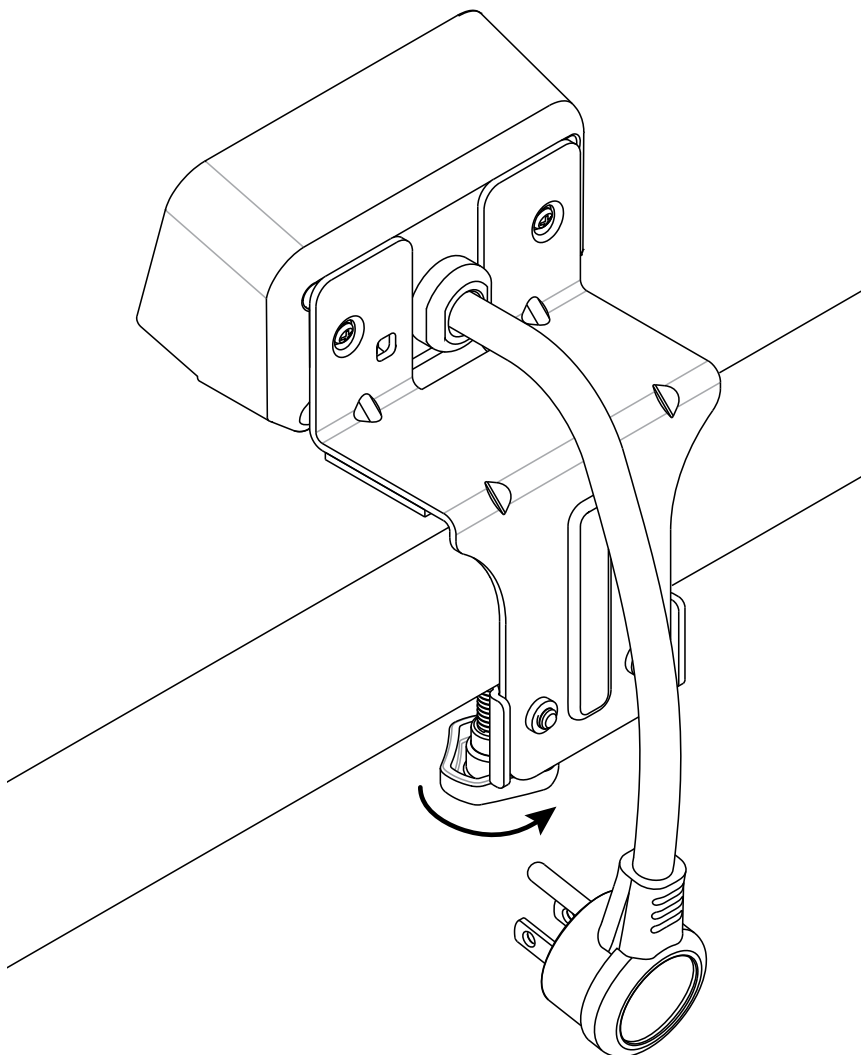
**TOOLS**



#2 Phillips Screwdriver

**Step 2:** Place the power module in its desired position and tighten the knob until secure.

---



**Step 3:** That's it! EON is ready to use.

---

