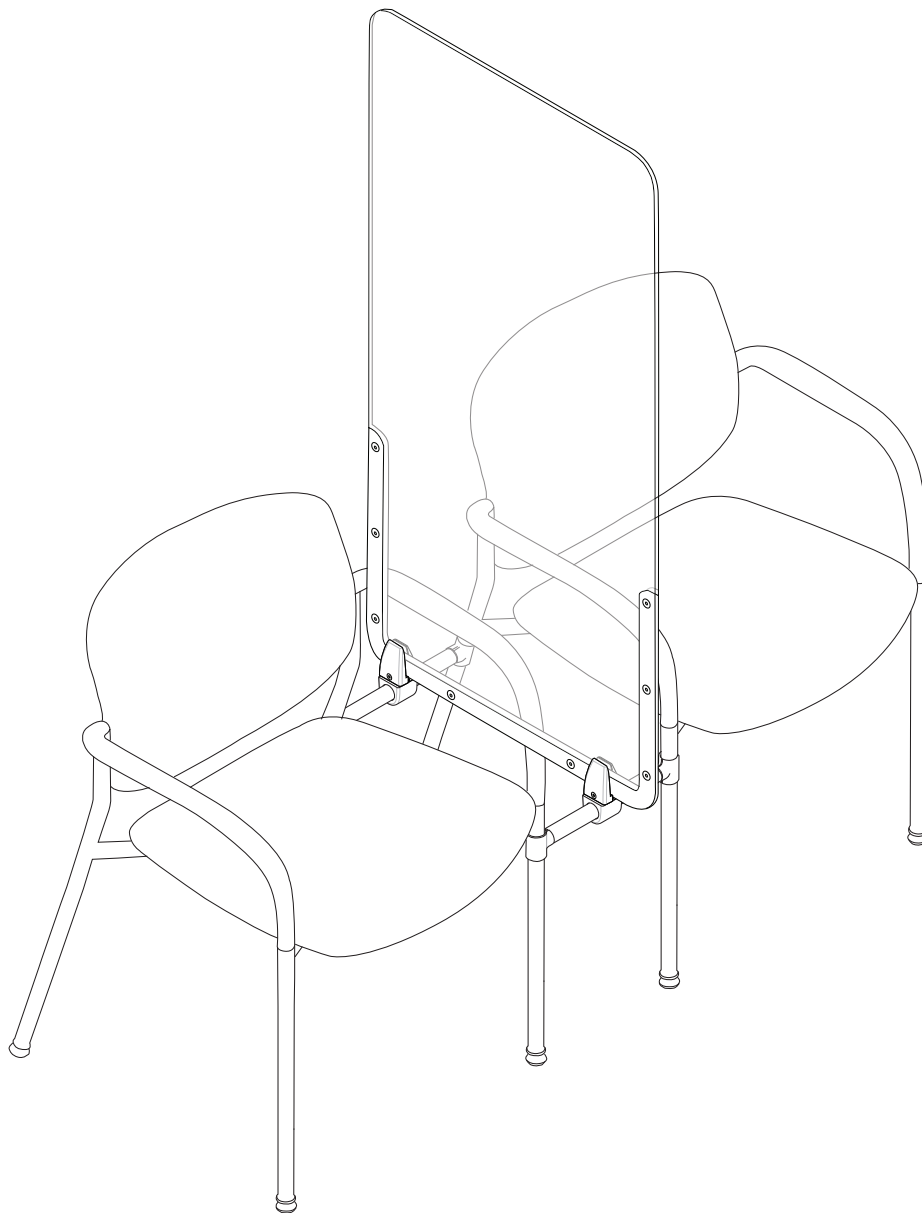


# SECTOR

## ACRYLIC SEATING SCREEN ASSEMBLY INSTRUCTIONS FOR FREELANCE AND FOCUS SIDE

Now more than ever, our welcoming spaces should be safe—free from contagions, concern and anything that gets in the way of interacting. This collection of seating screens provides the privacy, protection and peace of mind you need to wait with confidence.





## WARNING



### TO MINIMIZE RISK OF INJURY:

- Do not sit or stand on brackets
- Use only with provided divider
- Do not use with casters
- Do not use with stools or hip chairs
- Immediately remove from service if you see any damage or loose parts
- Ensure all fasteners are installed properly according to assembly instructions
- Use caution when sitting on or standing up from chair—chair may move unexpectedly
- Only repair chair using methods and replacement parts approved by the factory

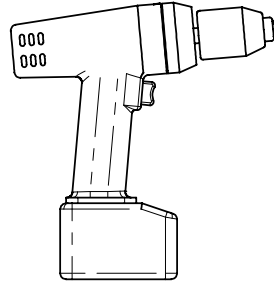
Issues or questions? Please contact:  
Customer Experience at (888) 274-8664

# SECTOR ACRYLIC SEATING SCREEN ASSEMBLY

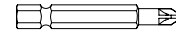
## COMPONENT LIST

- Sector Acrylic Seating Screen (1)
- U-Bracket (4 Halves)
- Gasket (4)
- Mounting Tube (2)
- Leg Clamp (4)
- Tube Adapter (2)
- M4 × 6 mm Screw (4)
- M6 × 30 mm Screw (2)
- M8 × 14 mm Screw (4)
- M8 Nut (4)
- M10 × 10 mm Screw (8)

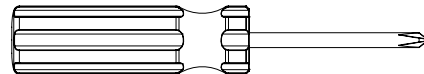
## REQUIRED TOOLS



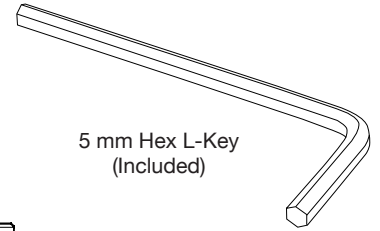
Cordless Drill/Driver  
(Do not overtighten screws.)



#2 Phillips  
Screwdriver or Bit

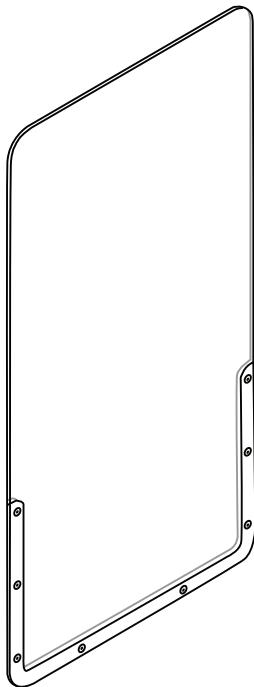


#2 Phillips  
Screwdriver or Bit



5 mm Hex L-Key  
(Included)

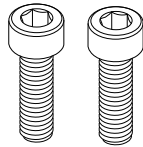
## COMPONENTS



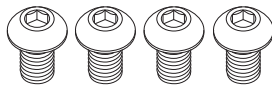
Sector Acrylic  
Seating Screen



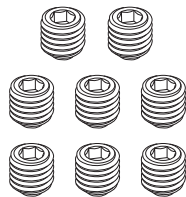
M4 × 6 mm Screws



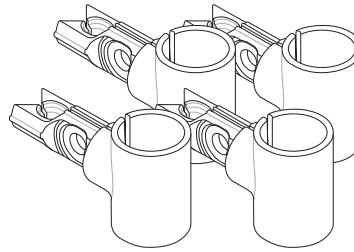
M6 × 30 mm Screws



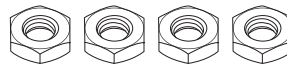
M8 × 14 mm Screws



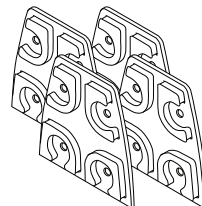
M10 × 10 mm Screws



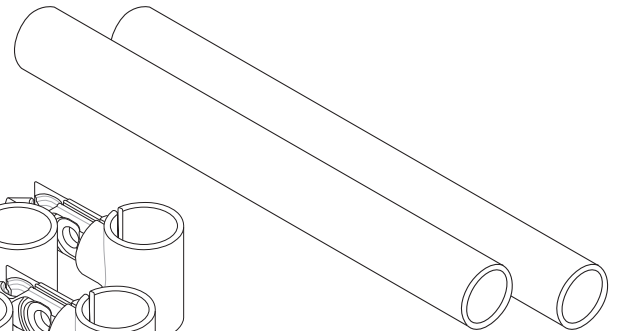
Chair Clamps



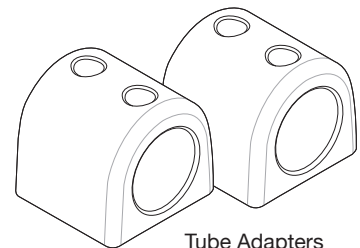
M8 Nuts



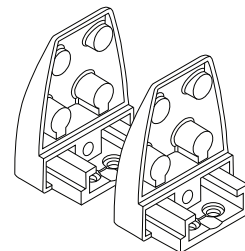
Gaskets



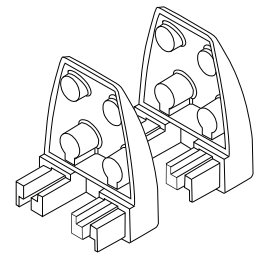
Mounting Tubes



Tube Adapters



U-Brackets  
(Side A)

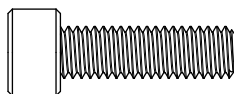


U-Brackets  
(Side B)

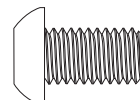
## 1:1 SCALE



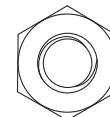
M4 × 6 mm Screw



M6 × 30 mm Screw



M8 × 14 mm Screw



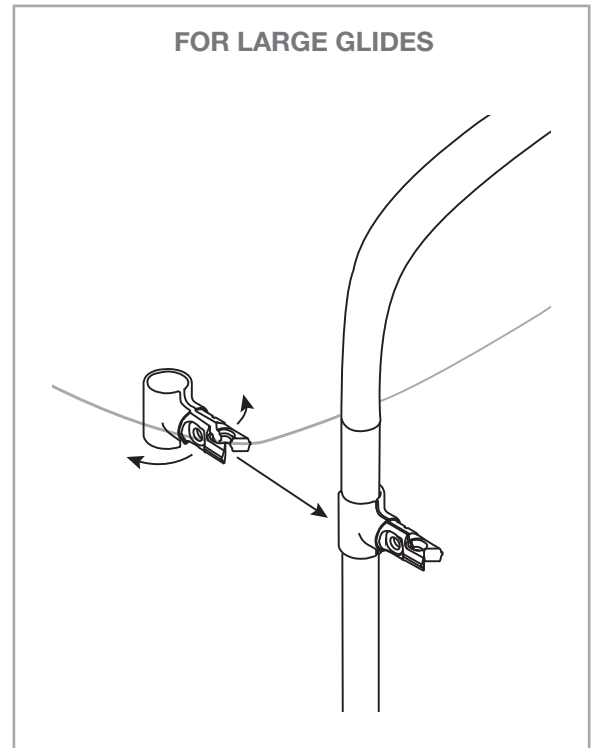
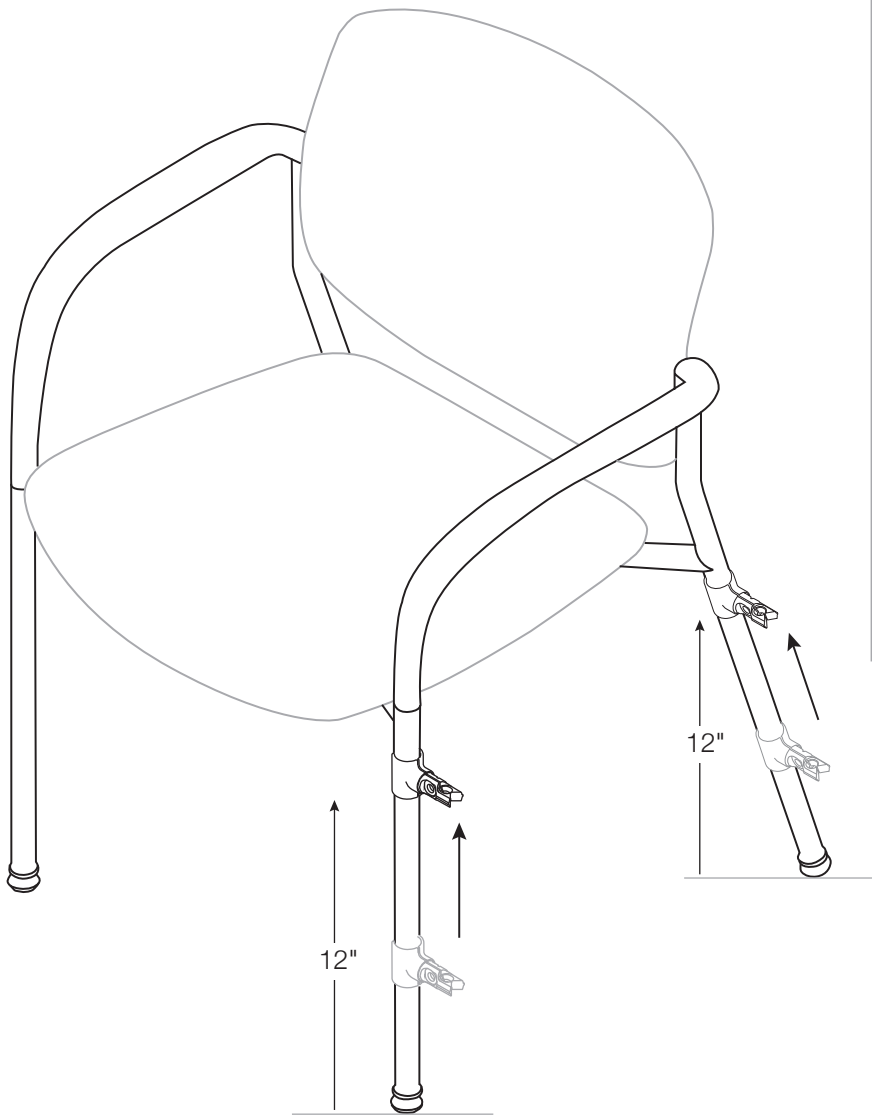
M8 Nut



M10 × 10 mm Screw

# SECTOR ACRYLIC SEATING SCREEN ASSEMBLY

1



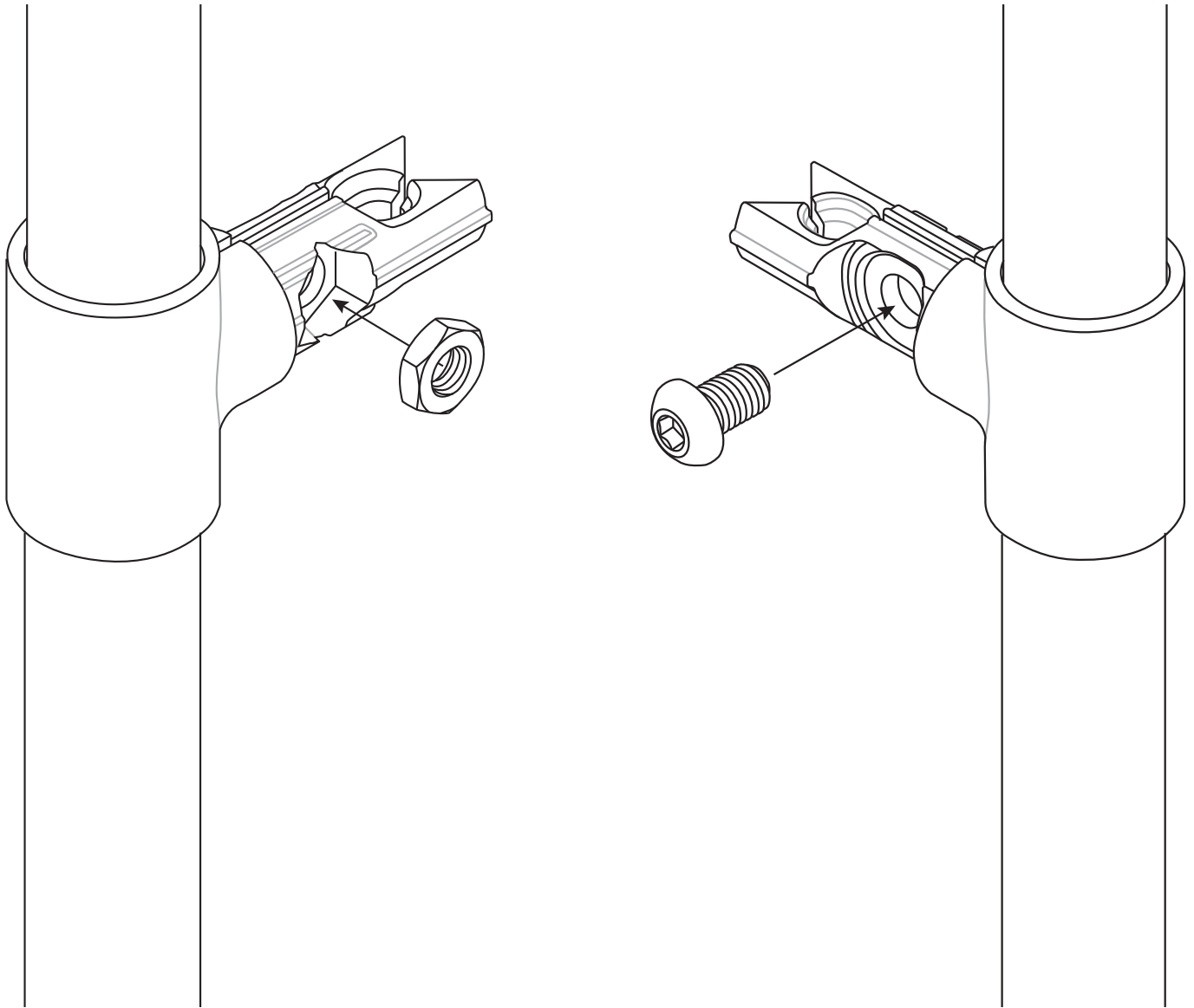
## STEPS

1. Slide one leg clamp onto the front and back leg of both chairs to a height of 12", facing toward the screen. If glides are too large (preventing installation), open and close clamp onto chair leg.

**WARNING:** Keep fingers away from the clamp area during installation.

# SECTOR ACRYLIC SEATING SCREEN ASSEMBLY

2

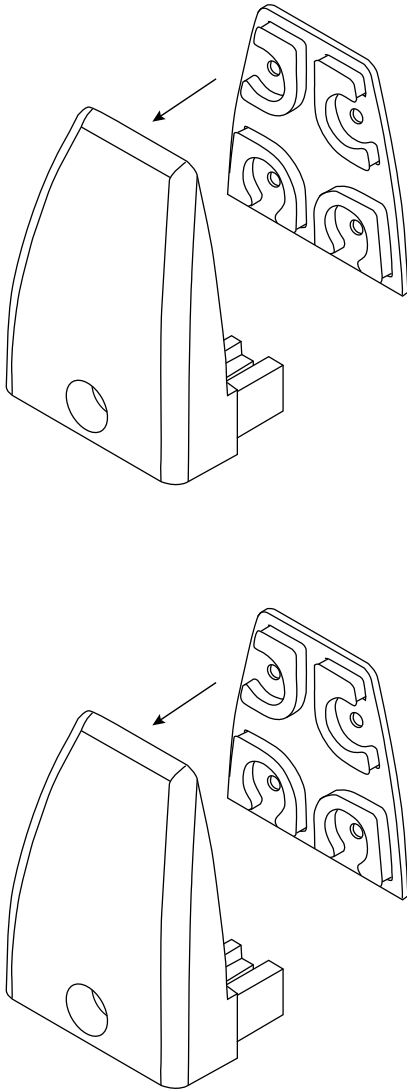


## STEPS

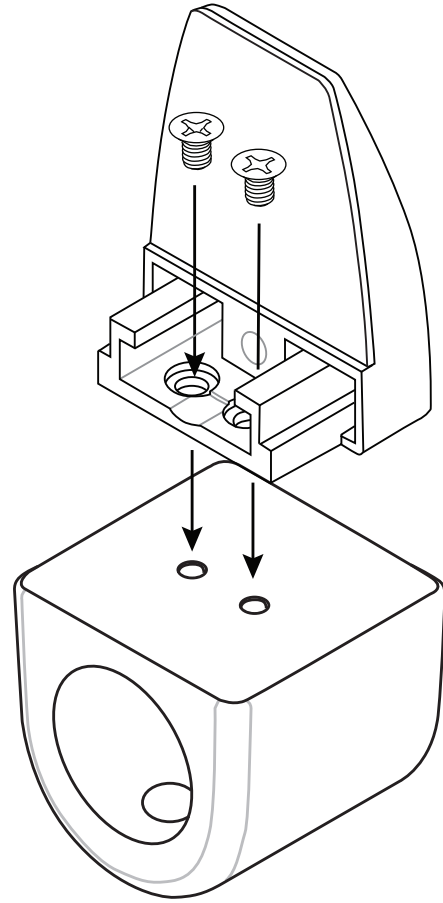
2. Insert one M8 nut into the hex-shaped slots on each leg clamp. Then, using a 5 mm hex key, thread one M8 × 14 mm screw through each nut from the opposite side of the clamp.

# SECTOR ACRYLIC SEATING SCREEN ASSEMBLY

3



4



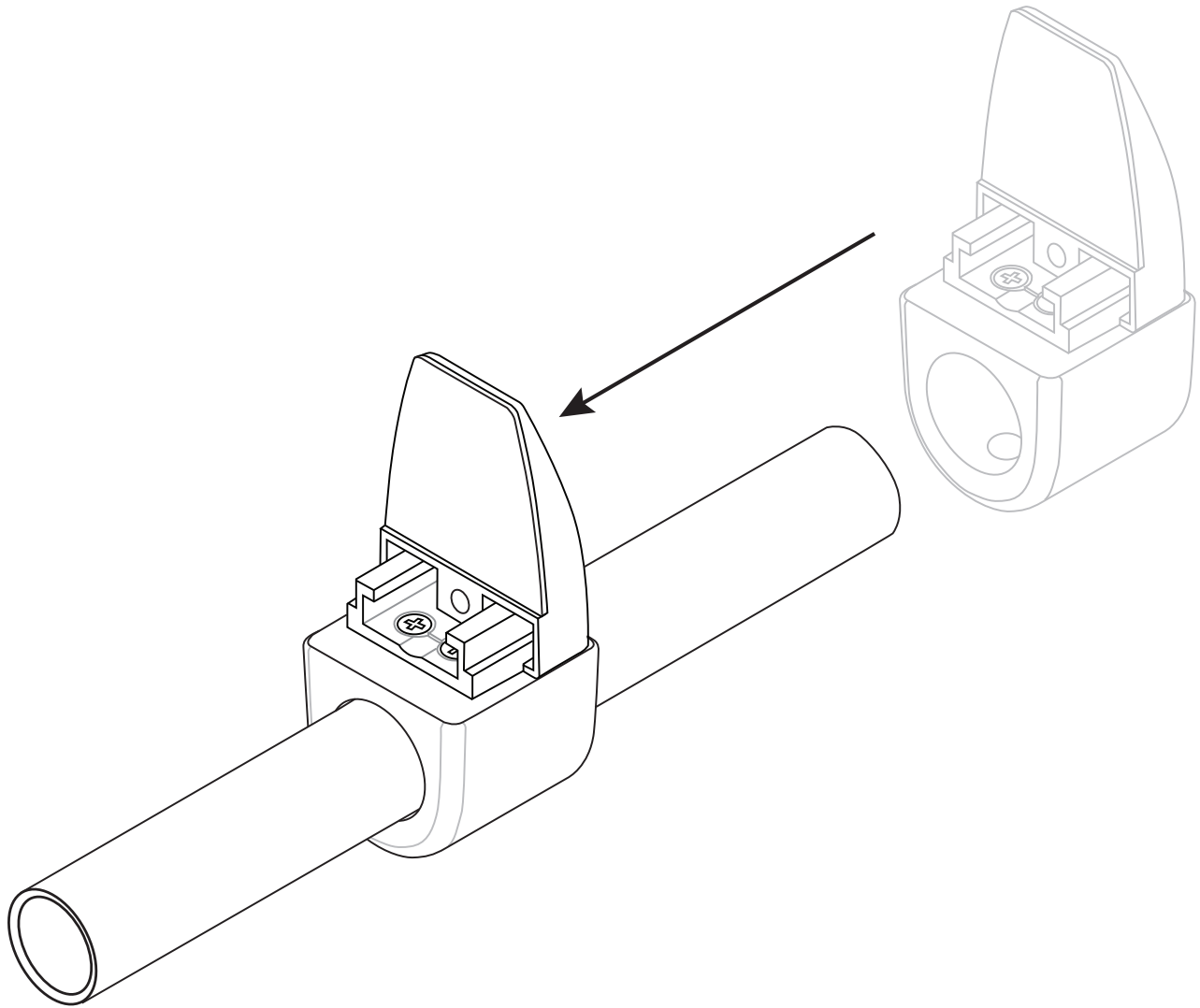
## STEPS

3. Apply one gasket to each side of the U-brackets.
4. Attach one side of the U-bracket (side A) to one tube adapter using two M4 × 6 mm screws and a #2 Phillips screwdriver. Repeat for second tube adapter.

Note: The tube adapter is drilled asymmetrically. Check direction against the illustration. Ensure the edges of the U-bracket are flush with those of the tube adapter.

# SECTOR ACRYLIC SEATING SCREEN ASSEMBLY

5

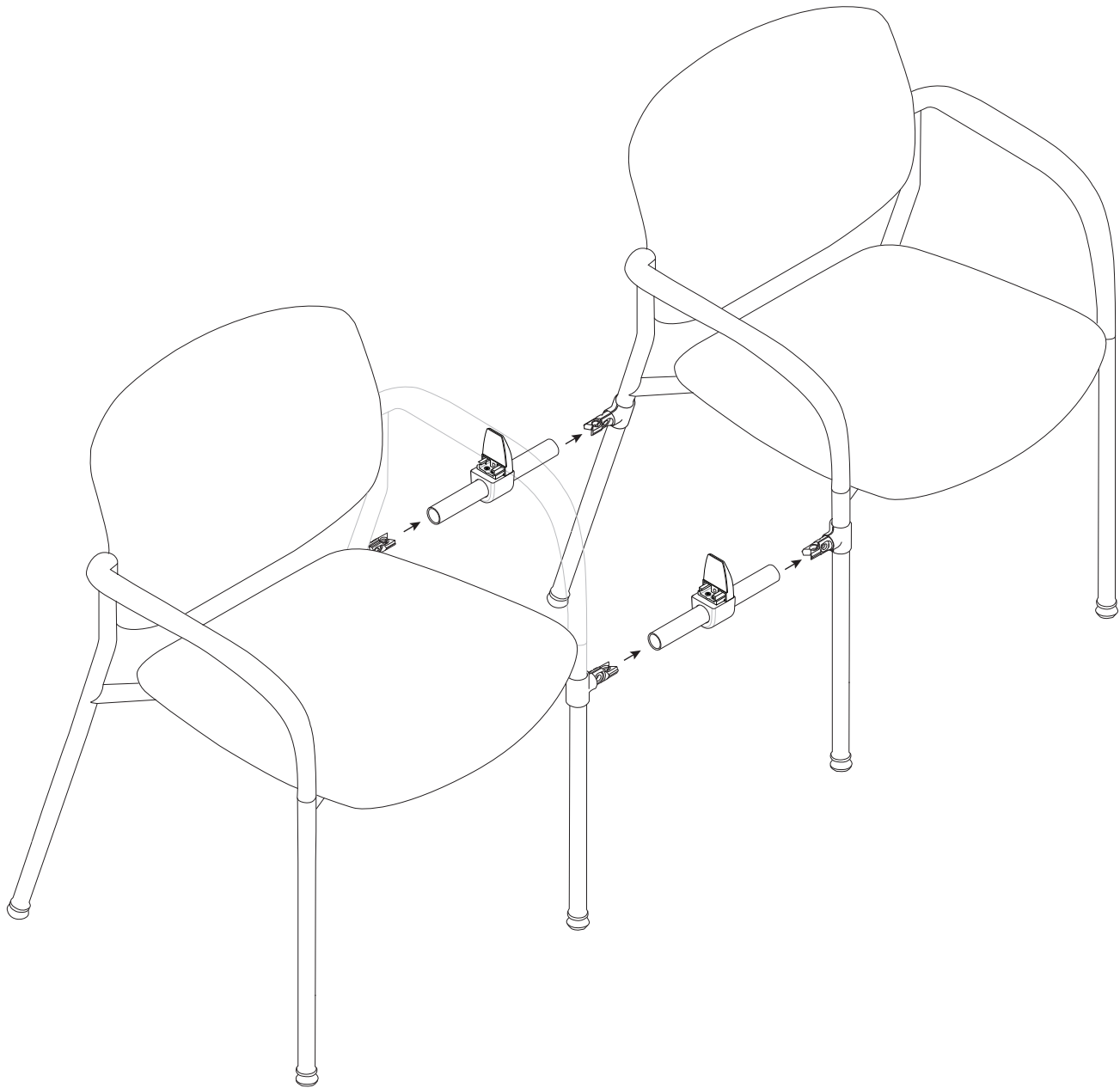


## STEPS

5. Slide U-bracket and tube adapter assemblies onto mounting tubes.

# SECTOR ACRYLIC SEATING SCREEN ASSEMBLY

6



## STEPS

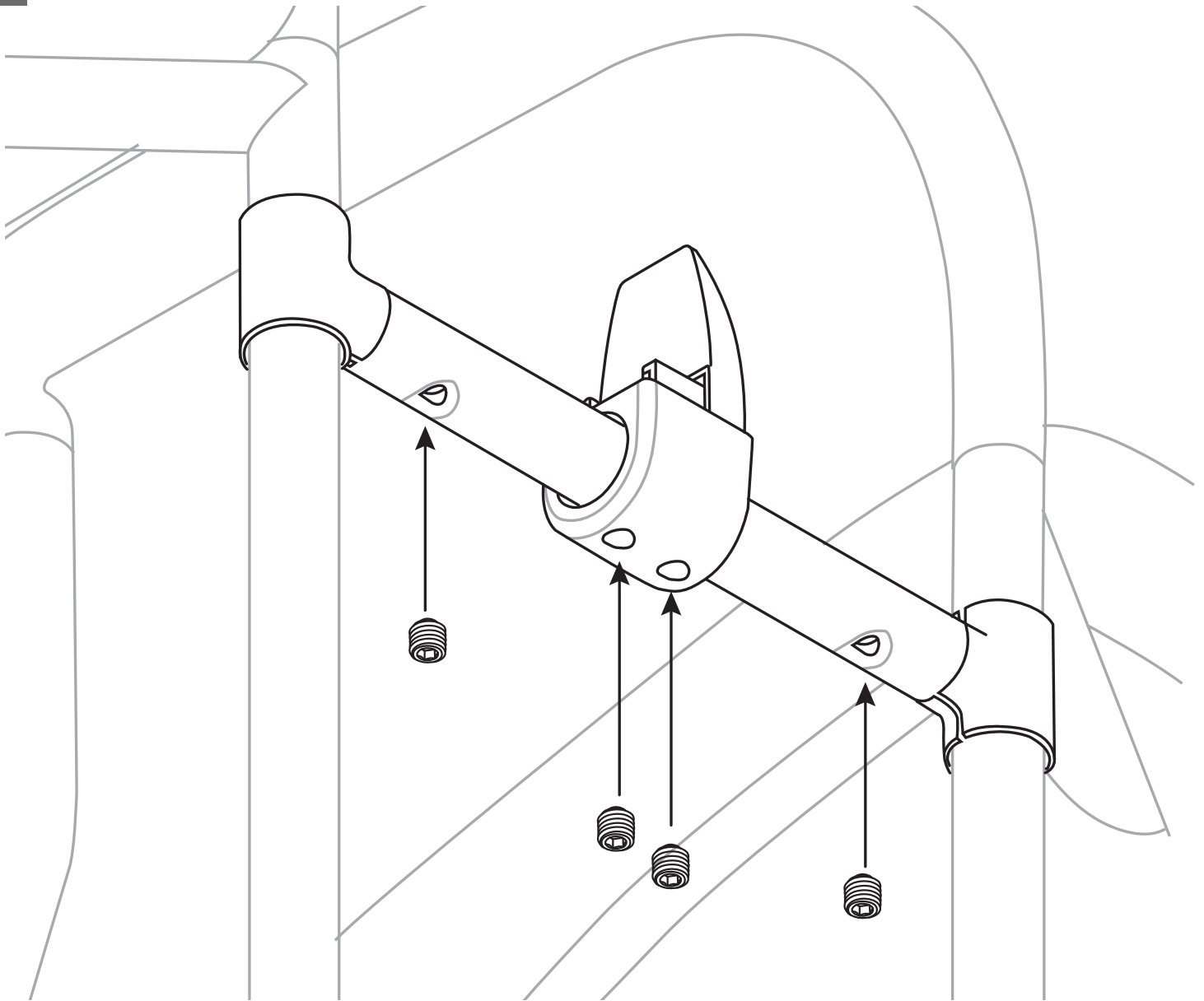
6. Slide mounting tubes with U-bracket and tube adapter assemblies onto leg clamps. Ensure both U-brackets are facing the same direction.

Note: For Focus Side models, ensure the shorter mounting tube is placed towards the rear of the seat.



# SECTOR ACRYLIC SEATING SCREEN ASSEMBLY

7



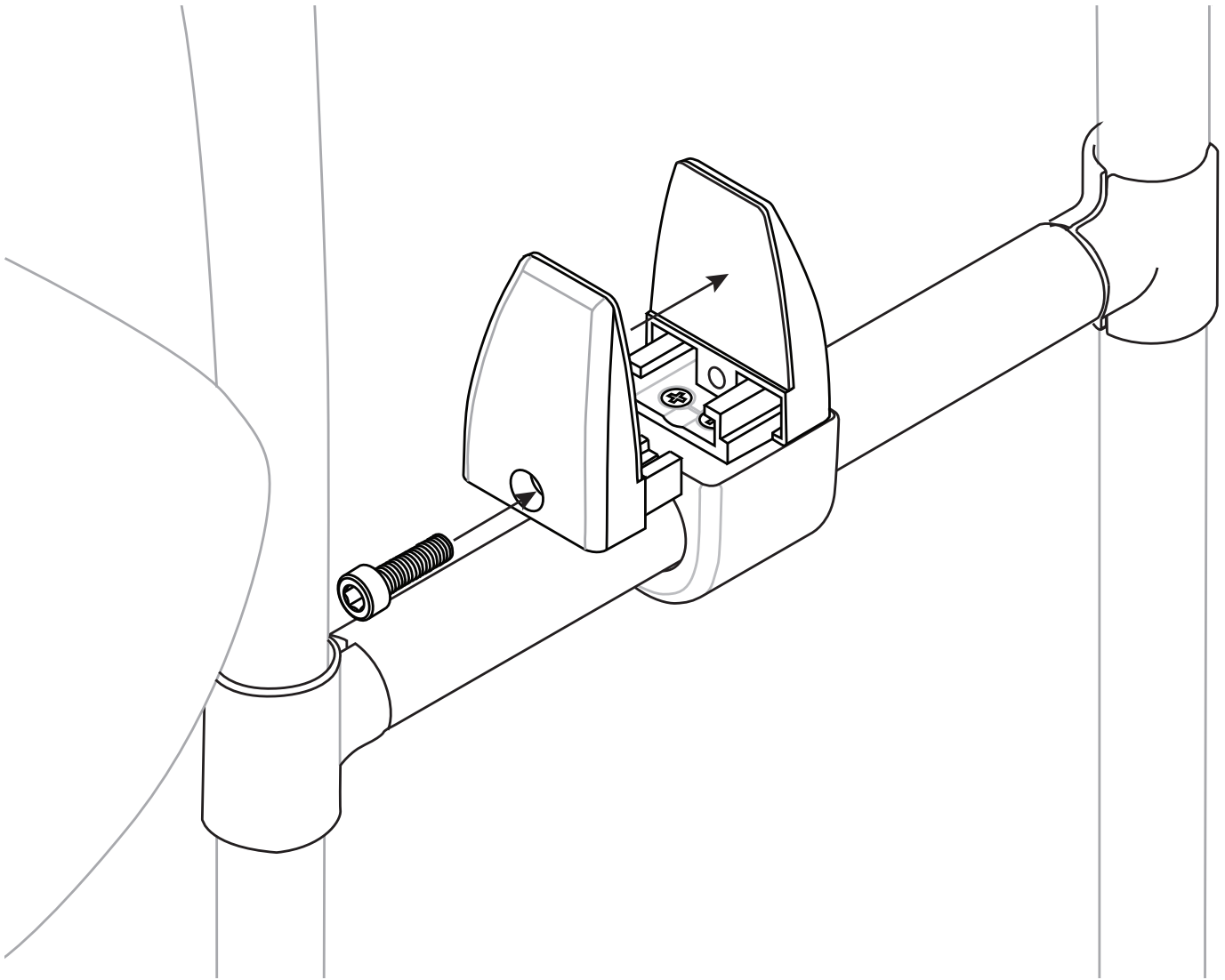
## STEPS

7. Thread one M10 × 10 mm screw through each end of both tubes, securing them with the four leg clamps. Ensure each screw is snug, being careful not to overtighten.

Center the U-bracket and tube adapter assemblies along the mounting tube. Use a level to ensure both U-brackets are level with each other. Then, using a 5 mm hex L-key, gently tighten with two M10 × 10 mm screws per U-bracket tube adapter assembly.

# SECTOR ACRYLIC SEATING SCREEN ASSEMBLY

8

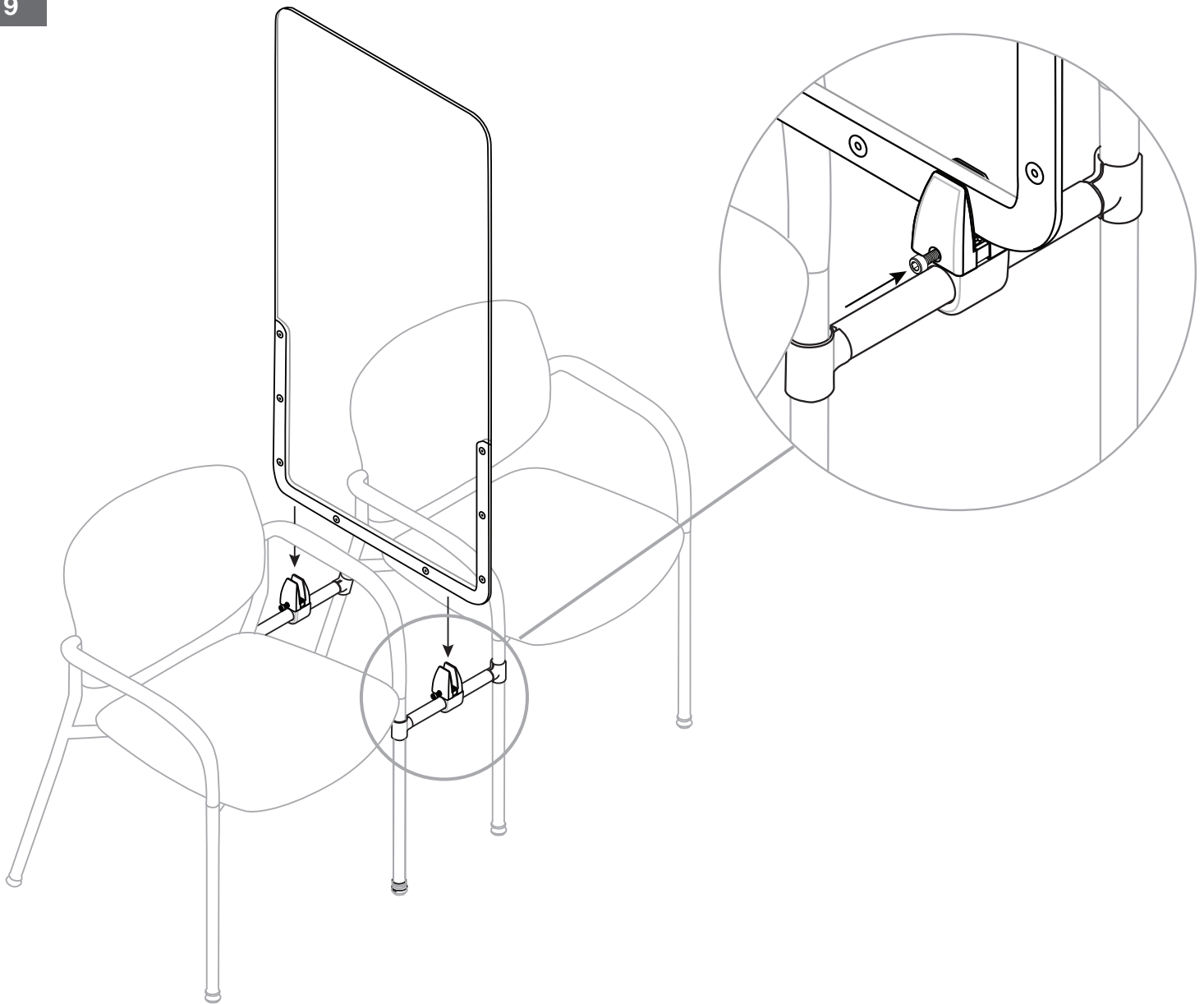


## STEPS

8. Slide the B sides of the U-brackets onto the A sides. Attach the two sides together using one M6 × 30 mm screw per U-bracket assembly and a 5 mm hex L-key. Do not close. Make sure to leave a gap for the screen.

# SECTOR ACRYLIC SEATING SCREEN ASSEMBLY

9



## STEPS

9. Insert the screen into the U-brackets, aligning the back of the screen with the backs of the chairs. Close the U-brackets by tightening the M6 × 30 mm screws with the 5 mm hex L-key. Continue until the screen is secure.